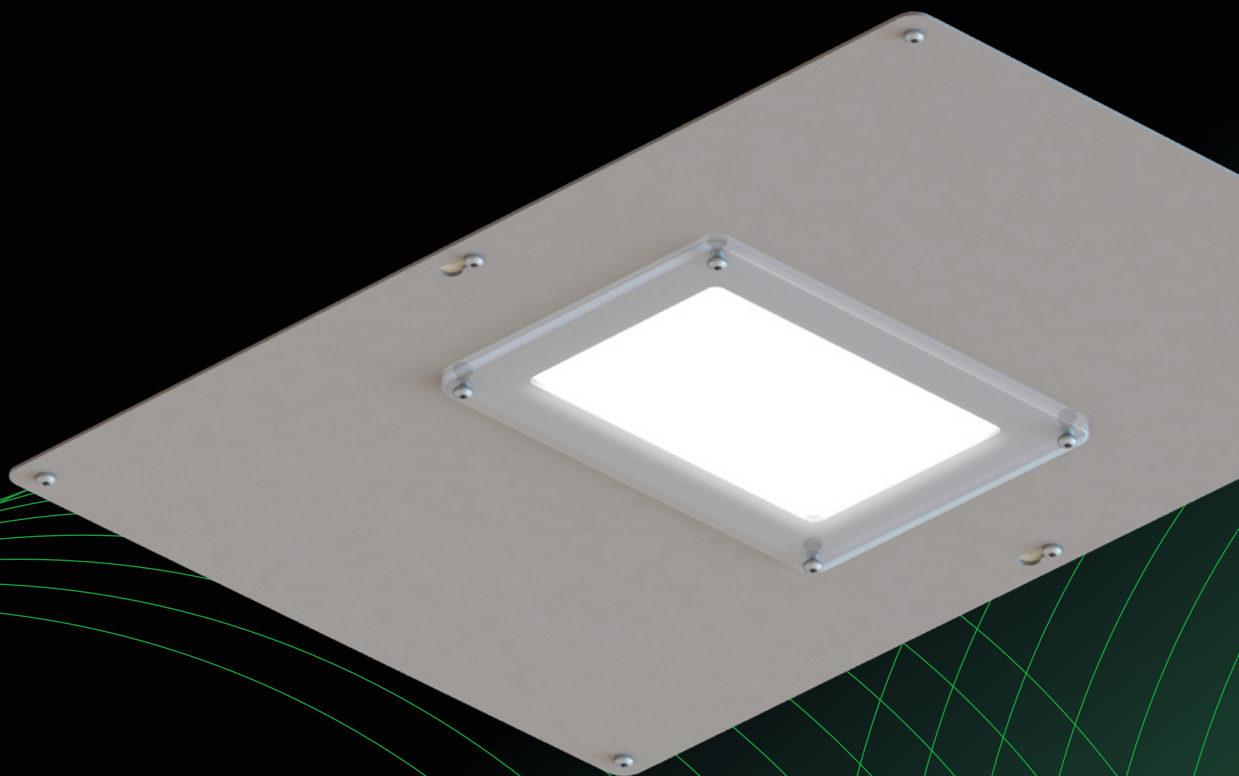


PRO+ Via

UNDERPASSES • CANOPIES

The new Easy LED PRO+ Via further improves the safety of underpasses. The improved luminaire is available as recessed (PRO+ Via U) and surface installed (PRO+ Via P) models.



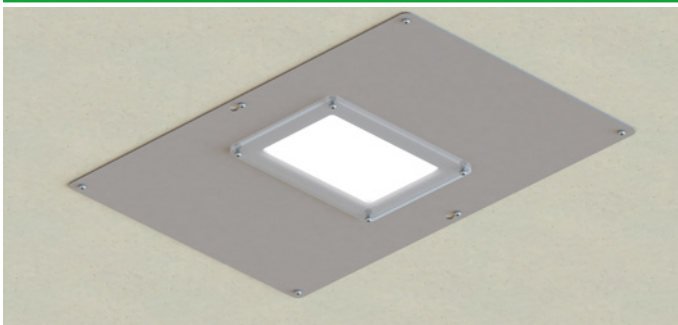
EASY
LED



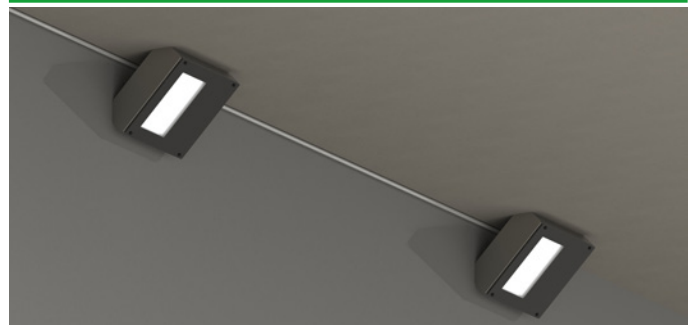
PRO+ VIA

Housing:	PRO+ Via U: Luminaire: anodized aluminium, interchangeable cover: anti-graffiti coated polycarbonate, mounting collar (available in two different sizes): aluminium. PRO+ Via P: Luminaire: anodized aluminium, interchangeable cover: anti-graffiti coated polycarbonate, casing: stainless steel.
Optics:	Optimized, shockproof and UV protected Easy LED polycarbonate optics, several light distribution options available.
Protection rating:	IK10, led module IP66
Thermal protection:	Inbuilt reversible thermal protection with output current dimming
Light unit lumen maintenance, L90B10, C10:	200 000 h
Remaining luminous flux after 100 000 h:	>0,90
Control:	Integrated DALI-2 (DT 6). CLO and Kaamos available.
Connection:	Through wiring in separate junction box: Via P included and built in. Via U not incl. - preassembled 1,5m instl. cable as standard.
Input voltage::	230 VAC (operation voltage range 198 - 264 VAC)
Input frequency:	50..60 Hz
Power factor (PF) typical:	>0,95. (24W..8W: >0,9. 5,5W: 0,7)
Surge protection:	10 kV L-GND, N-GND (EN 61000-4-5), 6 kV L-N (EN 61547)
Luminaire protection class:	CL I, VIA P available with CL II
Light:	740, multiple options available - for example 730, 840...
Luminaire luminous efficacy:	Up to 155 lm/W

PRO+ Via U recessed installation



PRO+ Via P surface installation



PRO+ Via U

Color:	RAL9006, also available in other RAL colors						
Weight:	4,0 kg						
LEDs:	8			22			
Power [W]	5,5W	8W	11W	14W	22W	29W	40W
Temp. range (95% RH):	-40°C ... +50°C	-40°C ... +50°C	-40°C ... +50°C	-40°C ... +55°C	-40°C ... +50°C	-40°C ... +40°C	-40°C ... +35°C
Maint free operating life (+25°C):	>100kh	>100kh	>100kh	>100kh	>100kh	>100kh	>100kh

PRO+ Via P

Color:	Stainless steel. Available in RAL colors						
Weight:	4,1 kg						
LEDs:	8			22			
Power [W]	5,5W	8W	11W	14W	22W	29W	40W
Temp. range (95% RH):	-40°C ... +50°C	-40°C ... +50°C	-40°C ... +50°C	-40°C ... +40°C	-40°C ... +35°C	-40°C ... +30°C	-40°C ... +25°C
Maint. free operating life (+25°C):	>100kh	>100kh	>100kh	>100kh	>100kh	>90kh	>75kh

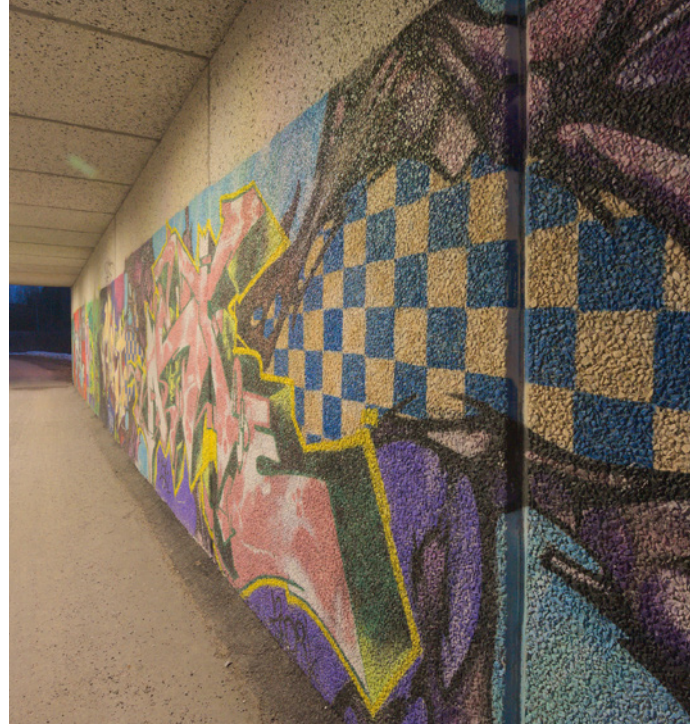
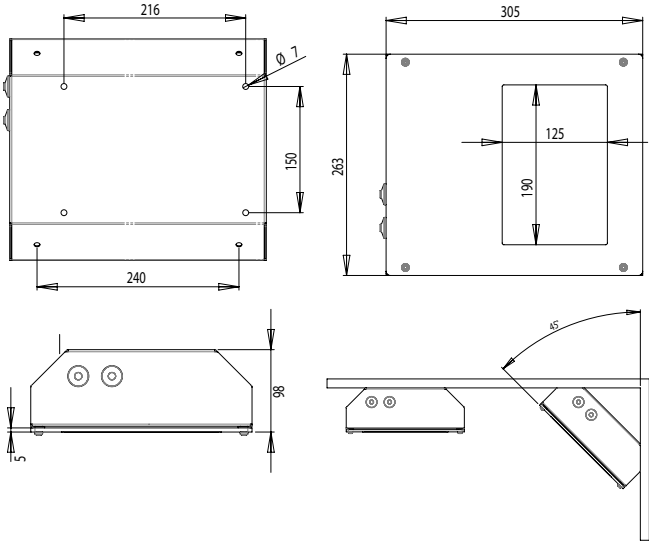
System power [W]:	5,5 W	8 W	11 W	14 W	22 W	29 W	40 W
Current [A]	0,04 A	0,04 A	0,06 A	0,08 A	0,11 A	0,14 A	0,19 A
Luminous flux Via U [lm]*	720 lm	1060 lm	1530 lm	1850 lm	2960 lm	3830 lm	5000 lm
Luminous flux Via P [lm]*	690 lm	1020 lm	1470 lm	1850 lm	2930 lm	3750 lm	4830 lm
Luminaire linear dimming range:							
Light minimum level	5 %	3 %	2 %	8 %	5 %	4 %	3 %
Power minimum level		1,2 W			2,5 W		

Values shown are nominal values and are subject to +/- 10% tolerance.

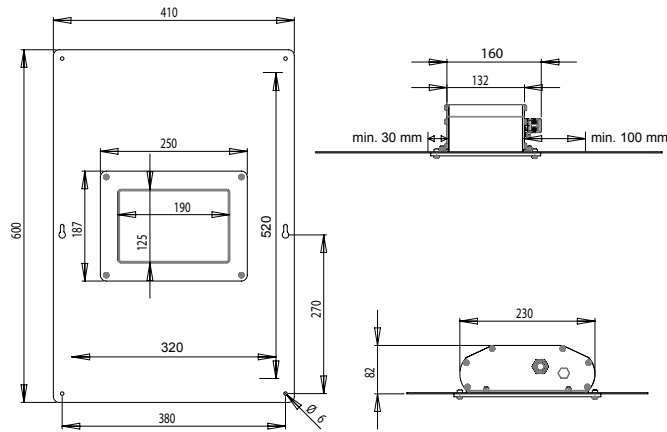
*Luminous flux for 740, dependent on choice of optical solution. For latest values, ask for light distribution files.

PRO+ VIA

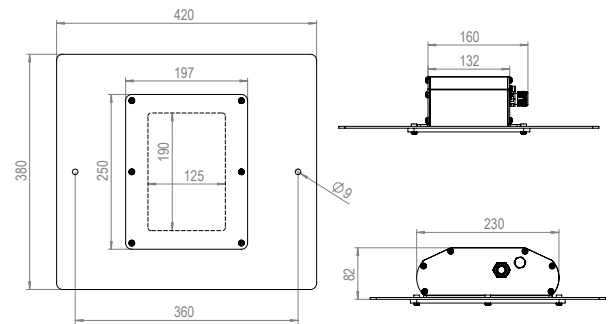
PRO+ Via U recessed installation



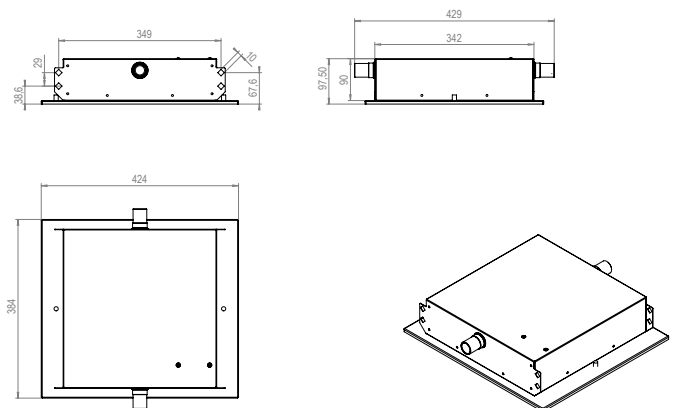
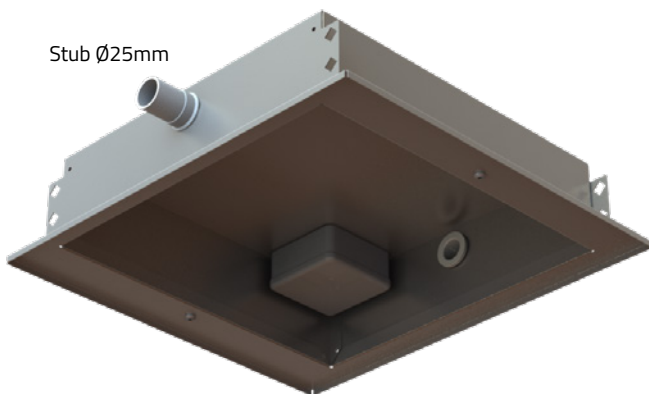
PRO+ Via P surface installation



PRO+ Via Us recessed installation (smaller mounting collar)



Concrete casting housing for PRO+ VIA S U model



EASY | LED

EASY LED – THE BRIGHTEST CHOICE

Investing in high quality LED lighting will give you value for now and far in the future. Easy LED Oy is a Finnish company specialized in manufacturing energy efficient LED-lighting for sports, industry, road, area, commercial, retail and office space lighting purposes.

Easy LED Oy
Meriniitynkatu 11
24100 Salo - Finland
p. +358 2 737 44 20
www.easyled.fi

