



# ARA<sup>®</sup>

EFFICIENT LED FLOODLIGHT



EASY | LED

# ARA<sup>®</sup>

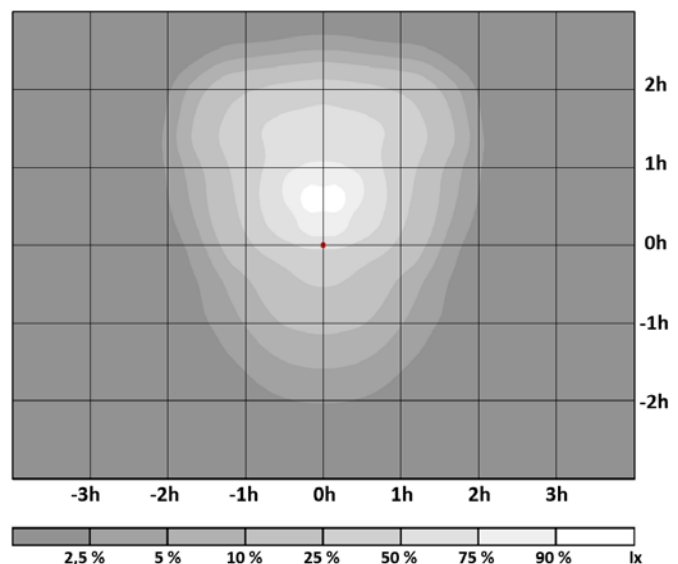
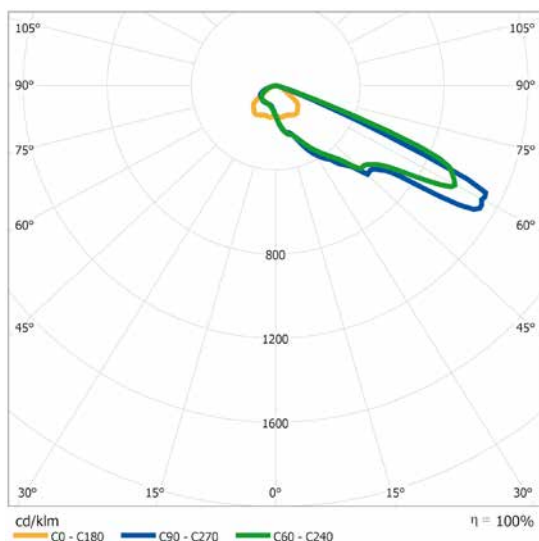
Easy LED ARA<sup>®</sup> is a cost-effective and luminous alternative for traditional metal halide lights. The ARA<sup>®</sup> is built in a robust die-cast aluminium housing and the sturdy handle makes installation and aiming of the floodlight easy.

- Cost-effective replacement for traditional high power metal halide floodlights
- Robust die-cast housing for demanding conditions
- Installation handle for mounting and aiming of the floodlight
- Extremely efficient for area lighting – sports arenas, parking lots, industrial areas
- Now also available with Zhaga. Compatible with the Easy Magic control system.
- Same high quality as BUBO light family
- Made in Finland



## ARA<sup>®</sup>-FLOODLIGHT OPTICS

### UP-F





# ARA® 90-1050

**Housing:** Die cast aluminium chassis with powder coat RAL 9006. Hot dip galvanized steel bracket. Optical cover extra white hardened glass.

**Optics:** Flood light optics UP-F. Easy LED optimized UV-stabilized PC optics with high impact resistance

**Protection range:** IP66, IK08, CE

**Temperature range:** Designed for operating temperatures of up to +40°C outdoors / +35°C indoors (95% RH)

**Automatic thermal protection:** Inbuilt reversible thermal protection with output current dimming.

**LED unit lumen maintenance L90B10, C10:** 70 000 h

**LED unit lumen maintenance L85B10, C10:** >100 000 h

**Residual luminous flux after 100 000 h:** 0,87

**Control:** Integrated DALI-2. Available Zhaga (D4i) to top (ZT) or to top and ground (ZTG) sides as well as CLO, MainsDIM and Kaamos.

**Connection:** Preassembled rubber cable. Serial installation possible.

**Accessories:** Front and rear light visors

**Safety light:** 186-250 VDC at 10...60% power level

**Input voltage:** 230 VAC (operation voltage range 202...254 VAC. Zhaga: 90...305 VAC)

**Input frequency:** 50...60 Hz

**Power Factor (PF) typical:** > 0,95

**Surge protection:**

10 kV L-GND, N-GND (EN 61547), 6 kV L-N (EN 61000-4-5)

Zhaga models: 10 kV L-GND, N-GND, 6 kV L-N (EN 61000-4-5)

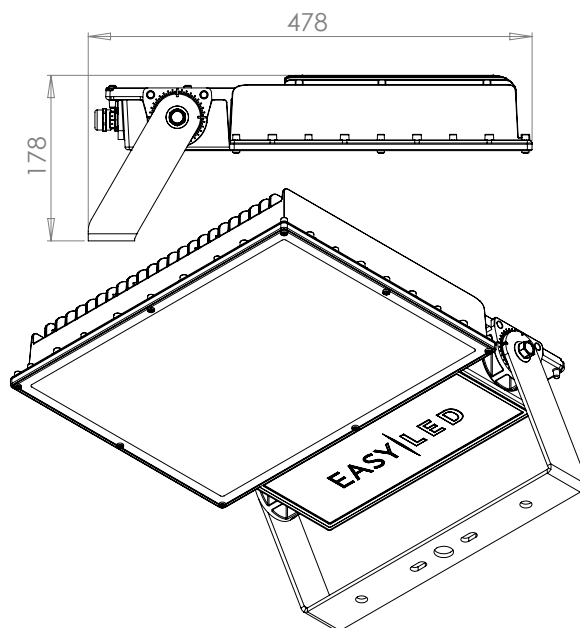
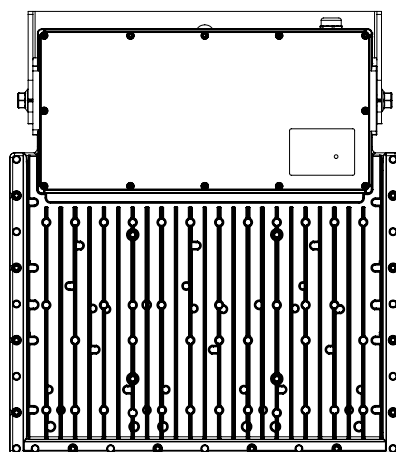
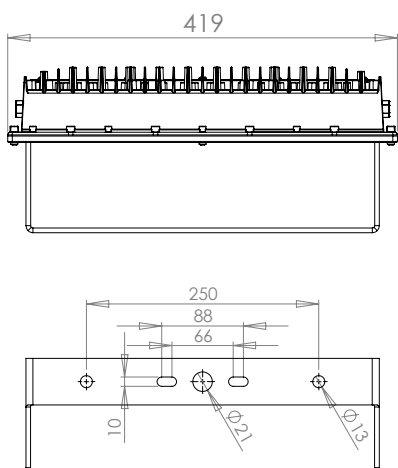
**Luminaire protection class:** CL I

**Installation direction:** No limits. (Not to be installed inside insulation to enable cooling)

**Luminaire luminous efficacy:** 124 lm/W

**Light:** CRI>70; 4000 K

## ARA® DIMENSIONS



**LEDs:** 90

**Weight:** 10,7 kg

**Recommended install height:** 6-30 m

**Delivery:** Fully assembled

**Dali addresses:** 1

**Temperature range:** -40°C ...+40°C (95% RH) outdoors  
-40°C ...+35°C (95% RH) indoors

**Maintenance free operating life:** >100 kh

**Driving current:** 1050 mA

**System power:** 280 W

**Current:** 1,3 A

**Luminous Flux:** 34 700 lm\*

**Luminaire dimming range:**

Minimum light level: 0,12

Minimum power level: 0,11

Values shown are nominal values and are subject to +/- 10% tolerance. \*Luminous flux for 740, dependent on choice of optical solution. For latest values, ask for light distribution files.

## ARA® CIRCUIT BREAKER DESIGN CHART

	280 W	1,3 A	Number of luminaires per circuit breaker			
			B10 A	B16 A	C10 A	C16 A
ARA 90-1050	280 W	1,3 A	3	7	7	11
ARA 90-1050 Zhaga	280 W	1,3 A	3	5	5	9

### Inrush current peak

ARA 90-1050 13 A, t = 1320µs (50% of Ipeak)  
ARA 90-1050 Zhaga 12,4 A, t = 2400µs (50% of Ipeak)

### Earth leakage current

0,2 mA  
0,3 mA



# ARA<sup>®</sup>

EFFICIENT LED FLOODLIGHT

## EASY LED – THE BRIGHT CHOICE

Investing in high quality LED lighting today will pay off far into the future. Easy LED Oy is a Finnish company specialised in manufacturing of energy efficient LED lighting systems for different environments, such as sports arenas, industrial premises, roads and areas as well as retail and office spaces.



# EASY LED

Easy LED Oy  
Meriniitynkatu 11  
FI-24100 Salo, FINLAND  
tel. +358 2 737 44 20

[easyled.fi](http://easyled.fi)

