



ARA[®]

EFFICIENT LED FLOODLIGHT



EASY | LED

ARA[®]

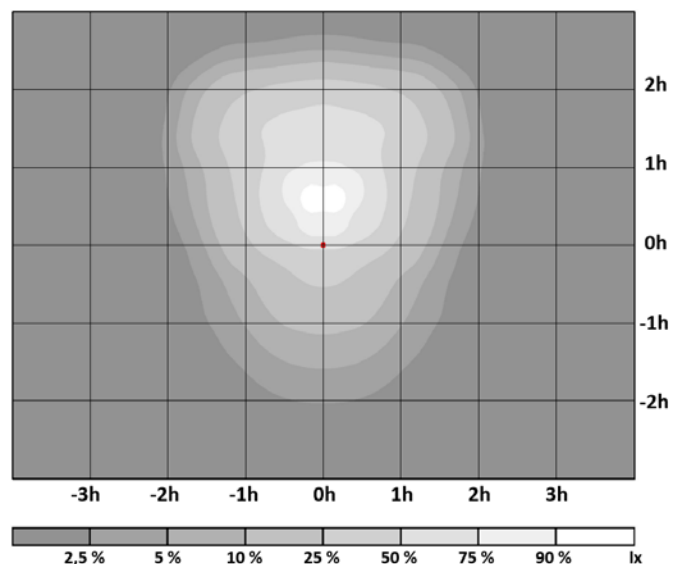
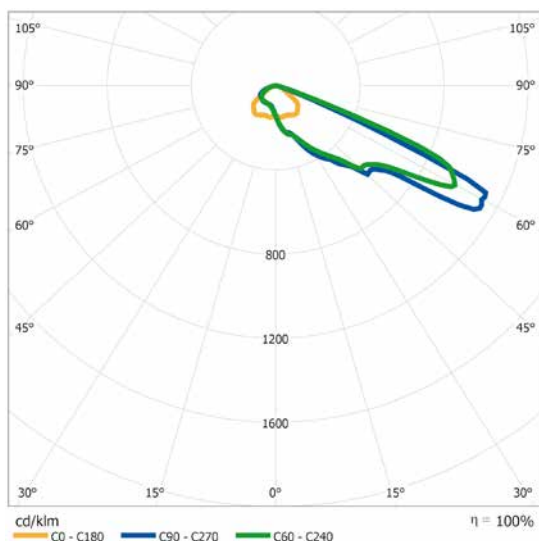
Easy LED ARA[®] is a cost-effective and luminous alternative for traditional metal halide lights. The ARA[®] is built in a robust die-cast aluminium housing and the sturdy handle makes installation and aiming of the floodlight easy.

- Cost-effective replacement for traditional high power metal halide floodlights
- Robust die-cast housing for demanding conditions
- Installation handle for mounting and aiming of the floodlight
- Extremely efficient for area lighting – sports arenas, parking lots, industrial areas
- Now also available with Zhaga. Compatible with the Easy Magic control system.
- Same high quality as BUBO light family
- Made in Finland



ARA[®]-FLOODLIGHT OPTICS

UP-F



ARA® 90-1050

Housing: Die cast aluminium chassis with powder coat RAL 9006. Hot dip galvanized steel bracket. Optical cover extra white hardened glass.

Optics: Flood light optics UP-F. Easy LED optimized UV-stabilized PC optics with high impact resistance

Protection range: IP66, IK08, CE

Temperature range: Designed for operating temperatures of up to +40°C outdoors / +35°C indoors (95% RH)

Automatic thermal protection: Inbuilt reversible thermal protection with output current dimming.

LED unit lumen maintenance L90B10, C10: 70 000 h

LED unit lumen maintenance L85B10, C10: >100 000 h

Residual luminous flux after 100 000 h: 0,87

Control: Integrated DALI. Available Zhaga (D4i) to top (ZT) or to top and ground (ZTG) sides as well as CLO, MainsDIM and Kaamos.

Connection: Preassembled rubber cable. Serial installation possible.

Accessories: Front and rear light visors

Safety light: 186-250 VDC at 10...60% power level

Input voltage: 230 VAC (operation voltage range 202...254 VAC. Zhaga: 90...305 VAC)

Input frequency: 50...60 Hz

Power Factor (PF) typical: > 0,95

Surge protection:

10 kV L-GND, N-GND (EN 61547), 6 kV L-N (EN 61000-4-5)

Zhaga models: 10 kV L-GND, N-GND, 6 kV L-N (EN 61000-4-5)

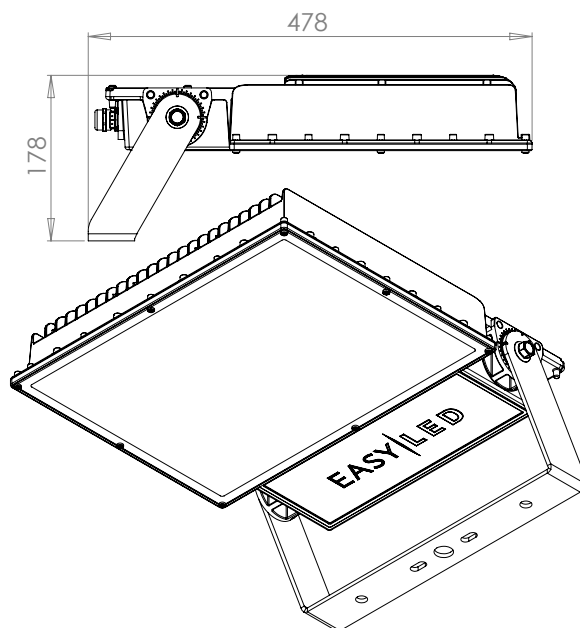
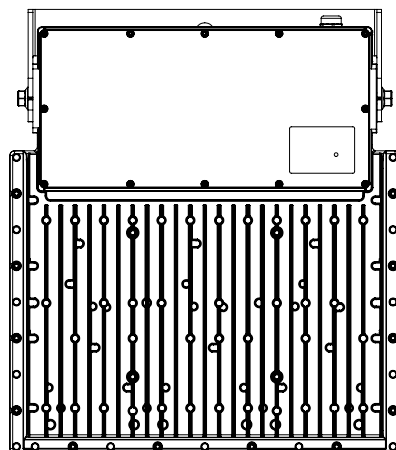
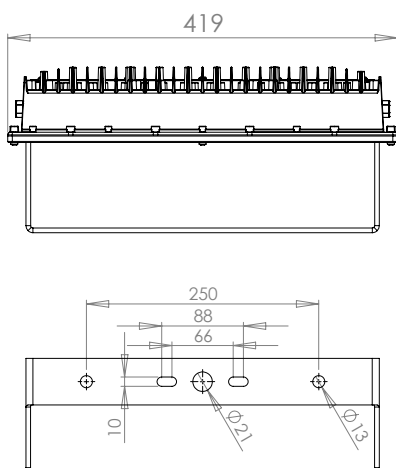
Luminaire protection class: CL I

Installation direction: No limits. (Not to be installed inside insulation to enable cooling)

Luminaire luminous efficacy: 124 lm/W

Light: CRI>70; 4000 K

ARA® DIMENSIONS



LEDs: 90

Weight: 10,7 kg

Recommended install height: 6-30 m

Delivery: Fully assembled

Dali addresses: 1

Temperature range: -40°C ...+40°C (95% RH) outdoors
-40°C ...+35°C (95% RH) indoors

Maintenance free operating life: >100 kh

Driving current: 1050 mA

System power: 280 W

Current: 1,3 A

Luminous Flux: 34 700 lm*

Luminaire dimming range:

Minimum light level: 0,12

Minimum power level: 0,11

Values shown are nominal values and are subject to +/- 10% tolerance. *Luminous flux for 740, dependent on choice of optical solution. For latest values, ask for light distribution files.

ARA® CIRCUIT BREAKER DESIGN CHART

	280 W	1,3 A	Number of luminaires per circuit breaker			
			B10 A	B16 A	C10 A	C16 A
ARA 90-1050	280 W	1,3 A	3	7	7	11
ARA 90-1050 Zhaga	280 W	1,3 A	3	5	5	9

Inrush current peak

ARA 90-1050 13 A, t = 1320µs (50% of I_{peak})
ARA 90-1050 Zhaga 12,4 A, t = 2400µs (50% of I_{peak})

Earth leakage current

0,2 mA
0,3 mA



ARA[®]

EFFICIENT LED FLOODLIGHT

EASY LED – THE BRIGHT CHOICE

Investing in high quality LED lighting today will pay off far into the future. Easy LED Oy is a Finnish company specialised in manufacturing of energy efficient LED lighting systems for different environments, such as sports arenas, industrial premises, roads and areas as well as retail and office spaces.



EASY LED

Easy LED Oy
Meriniitynkatu 11
FI-24100 Salo, FINLAND
tel. +358 2 737 44 20

easyled.fi

