


PICA

GENERAL LUMINAIRE



EASY
LED



**EASY LED PICA IS A STURDY AND EFFICIENT
GENERAL LUMINAIRE FOR WAREHOUSES,
INDUSTRIAL HALLS AND LOGISTICS CENTERS.
ALSO IP65 VERSION AVAILABLE FOR THE
FOOD INDUSTRY INTERIOR LIGHTING.**

PLEASANT WORK LIGHTING

PICA's low flicker index ensures excellent lighting for all working conditions.

FLICKER FREE ADJUSTMENT

PICA's high-quality dimming technology ensures flicker-free light level adjustments.

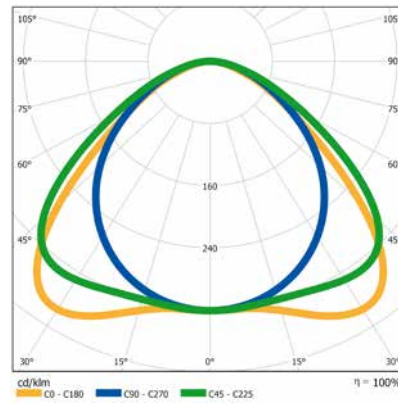
EASY TO INSTALL

PICA is delivered fully assembled. Surface mounting with screws directly on the ceiling or rail. Versatile optional spring clips available

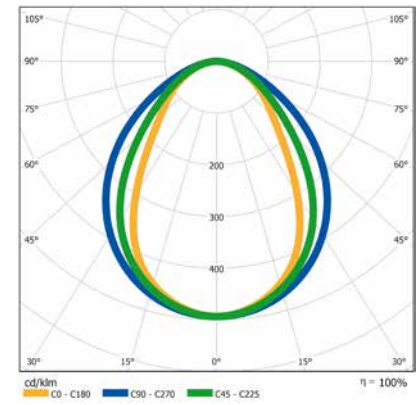
The luminaire is designed to be maintenance-free.

LIGHT DISTRIBUTION

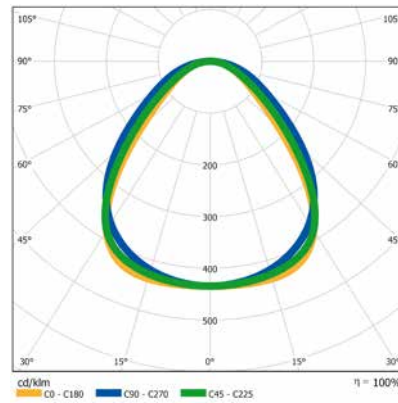
Extra wide



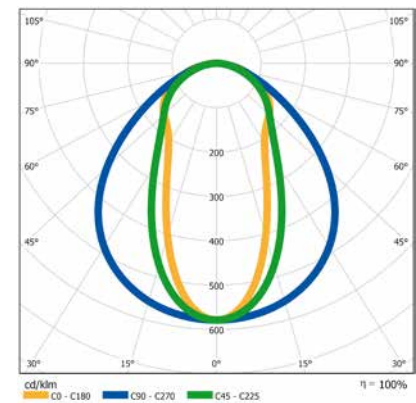
Medium Wide



Wide



Oval



PICA TECHNICAL INFORMATION

Dimensions (LxWxH)	1180 x 105 x 66mm
Weight	2.9 - 4,1 kg (depending on the model)
Housing	White painted aluminium profile (RAL9010) and metal ends.
Optics	Tough and stable PMMA plastics. Polycarbonate light cover in the IP65 version.
Flicker Free	Full power: Flicker free. Flicker index <0,01 at <5kHz when dimming. Flicker index <0,02 at <5kHz when <5% dimming level.
Protection rating	IP43 as standard, IP65 version available.
Control	DALI control option available
Connection	Preassembled rubber cable (plug available). Serial installation available. IP65 version with lighting connector.
Temperature range	Designed for ambient temperatures of -25°C ...+55°C (non-condensing), depending on the model
Light colour:	4000 K
CRI:	>80 Ra
Maintenance free luminaire usage life:	L90 up to 55 000 h L80 up to >100 000 h
Input voltage	230 VAC (operation range: 198 - 264 VAC, 176 - 280 VDC)
Input frequency	50/60 Hz
Power Factor (PF) typical	0,98
Surge protection:	2 kV L-GND / N-GND, 1 kV L-N (IEC 61000-4-5)
Luminaire protection class	CL I
Guarantee	5 years

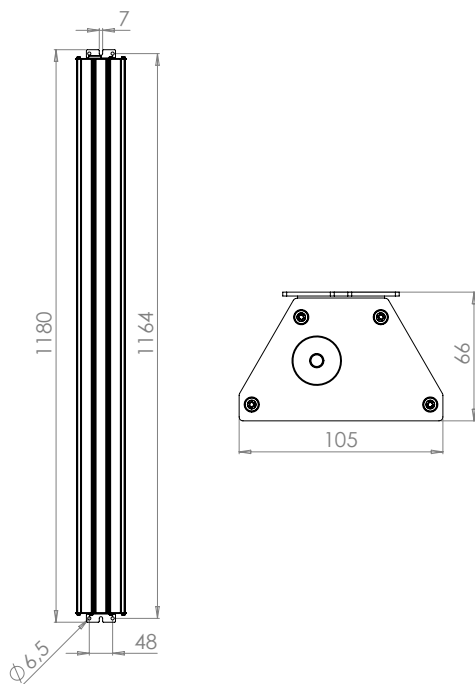


PICA	PICA 1		PICA 2		PICA 3	
Light lines	1		2		3	
Weight	2,9 kg		3,1 kg		3,5 kg	
Dali addresses	1		1		2	
Temperature range	-25°C ... +55°C	-25°C ... +50°C	-25°C ... +45°C	-25°C ... +40°C	-25°C ... +35°C	
Maintenance free operating life DALI	1-40: >100kh (+25°C), 100kh (+50°C), 80kh (+55°C)		2-100: 100kh (+25°C), 30kh (+45°C)		3-200: 100kh (+15°C), 60kh (+25°C), 30kh (+35°C)	
	1-80: >100kh (+25°C), 100kh (+35°C), 25kh (+50°C)		2-150: >100kh (+25°C), 100kh (+30°C), 65kh (+40°C)			
Version	PICA 1-40	PICA 1-80	PICA 2-100	PICA 2-150	PICA 3-200	
System power	41 W	81 W	105 W	149 W	198 W	
Current	0,2 A	0,4 A	0,5 A	0,7 A	0,9 A	
Luminous Flux*	7 300 lm	13 300 lm	19 100 lm	24 800 lm	33 700 lm	
Lumen maintenance	L90	55 000 h	42 000 h	50 000 h	40 000 h	42 000 h
	L80	>100 000 h	95 000 h	>100 000 h	90 000 h	95 000 h

DALI models dimming range

Light minimum level	1 %	1 %	1 %	1 %	1 %
Power minimum level	1 W	2 W	2 W	2 W	4 W

Values shown are nominal values and are subject to +/- 10 % tolerance. *Luminous flux for 840, dependent on choice of optical solution. For latest values, ask for light distribution files.



PICA circuit breaker design chart

			Number of luminaires per circuit breaker			
			B10 A	B16 A	C10 A	C16 A
PICA 1-40	41 W	0,2 A	21	34	35	56
PICA 1-80	81 W	0,4 A	11	18	19	30
PICA 2-100	105 W	0,5 A	8	13	14	21
PICA 2-150	149 W	0,7 A	6	10	11	17
PICA 3-200	198 W	0,9 A	4	6	7	11
					Inrush current peak	
PICA 1-40	25A, t = 177µs (50 % of Ipeak)				< 0,5 mA	
PICA 1-80	42A, t = 186µs (50 % of Ipeak)				< 0,4 mA	
PICA 2-100	46A, t = 240µs (50 % of Ipeak)				< 0,4 mA	
PICA 2-150	52A, t = 308µs (50 % of Ipeak)				< 0,5 mA	
PICA 3-200	2 x [46A, t = 240µs] (50 % of Ipeak)				< 0,8 mA	

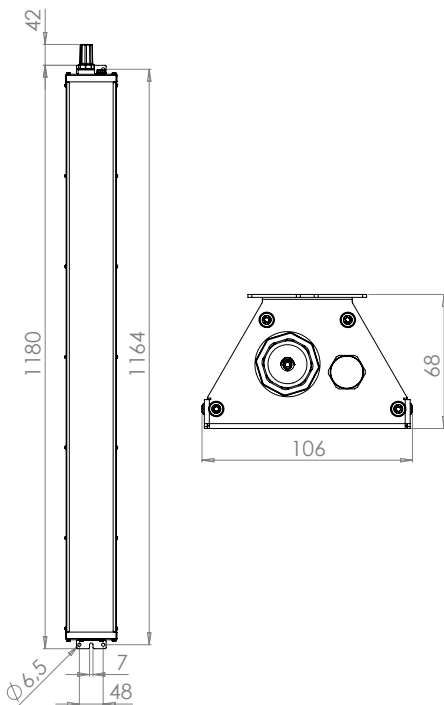


PICA IP65	PICA IP65 1		PICA IP65 2		PICA IP65 3	
Light lines	1		2		3	
Weight	3,4 kg		3,6 kg		4,1 kg	
Dali addresses	1		1		2	
Temperature range	-25°C ... +50°C	-25°C ... +50°C	-25°C ... +45°C	-25°C ... +35°C	-25°C ... +30°C	
Maintenance free operating life DALI	1-40: >100kh (+25°C), 100kh (+45°C), 80kh (+50°C)		2-100: 100kh (+25°C), 30kh (+45°C)		3-200: 100kh (+10°C), 50kh (+25°C), 35kh (+30°C)	
	1-80: >100kh (+25°C), 100kh (+30°C), 25kh (+50°C)		2-150: >100kh (+25°C), 100kh (+30°C), 90kh (+35°C)			
Version	PICA IP65 1-40	PICA IP65 1-80	PICA IP65 2-100	PICA IP65 2-150	PICA IP65 3-200	
System power	41 W	81 W	105 W	149 W	198 W	
Current	0,2 A	0,4 A	0,5 A	0,7 A	0,9 A	
Luminous Flux*	6 300 lm	11 600 lm	16 700 lm	21 800 lm	29 500 lm	
Lumen maintenance	L90	55 000 h	40 000 h	50 000 h	38 000 h	40 000 h
	L80	>100 000 h	90 000 h	>100 000 h	85 000 h	90 000 h

DALI-mallin säätöalue

Light minimum level	1 %	1 %	1 %	1 %	1 %
Power minimum level	1 W	2 W	2 W	2 W	4 W

Values shown are nominal values and are subject to +/- 10 % tolerance. *Luminous flux for 840, dependent on choice of optical solution. For latest values, ask for light distribution files.



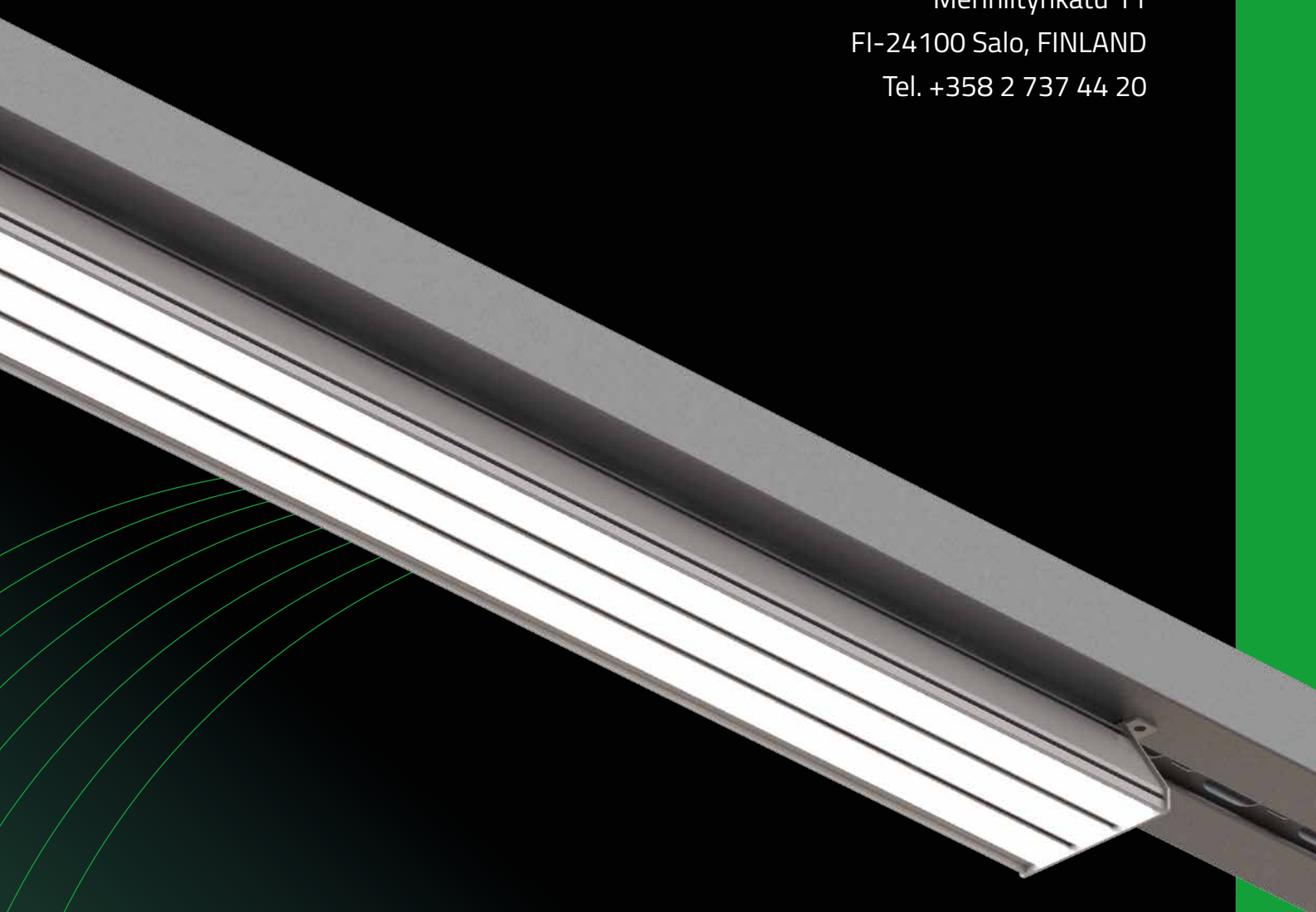
PICA circuit breaker design chart

			Number of luminaires per circuit breaker			
			B10 A	B16 A	C10 A	C16 A
PICA 1-40	41 W	0,2 A	21	34	35	56
PICA 1-80	81 W	0,4 A	11	18	19	30
PICA 2-100	105 W	0,5 A	8	13	14	21
PICA 2-150	149 W	0,7A	6	10	11	17
PICA 3-200	198 W	0,9 A	4	6	7	11
			Inrush current peak			Earth leakage current
PICA 1-40	25A, t = 177µs (50 % of Ipeak)			< 0,5 mA		
PICA 1-80	42A, t = 186µs (50 % of Ipeak)			< 0,4 mA		
PICA 2-100	46A, t = 240µs (50 % of Ipeak)			< 0,4 mA		
PICA 2-150	52A, t = 308µs (50 % of Ipeak)			< 0,5 mA		
PICA 3-200	2 x [46A, t = 240µs] (50 % of Ipeak)			< 0,8 mA		



www.easyled.fi

Easy LED Oy
Meriniitynkatu 11
FI-24100 Salo, FINLAND
Tel. +358 2 737 44 20



EASY
LED

Investing in high quality LED lighting today will pay off far into the future. Easy LED Oy is a Finnish company specialised in manufacturing of energy efficient LED lighting systems for different environments, such as sports arenas, industrial premises, roads and areas as well as retail and office spaces.