



ARA

EFFICIENT LED FLOODLIGHT



EASY | LED

ARA

Easy LED ARA is a cost-effective and luminous alternative for traditional metal halide lights. The ARA is built in a robust die-cast aluminium housing and the sturdy handle makes installation and aiming of the floodlight easy.

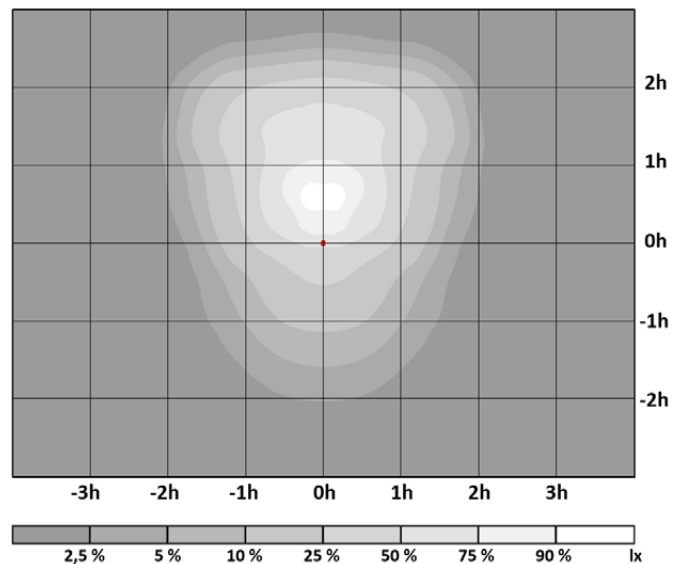
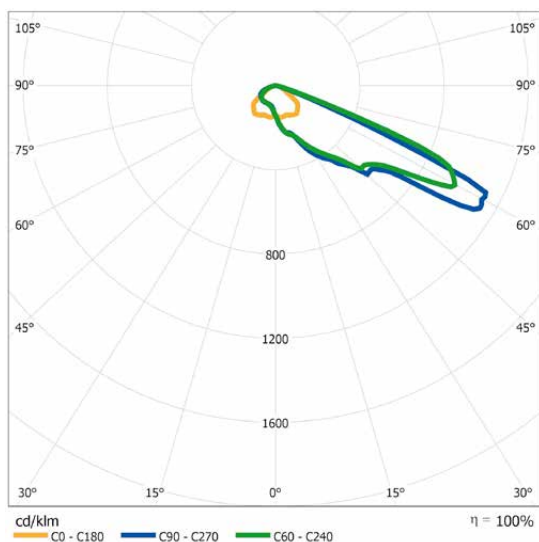


EASY LED ARA:

- Cost-effective replacement for traditional high power metal halide floodlights
- Robust die-cast housing for demanding conditions
- Installation handle for mounting and aiming of the floodlight
- Extremely efficient for area lighting – sports arenas, parking lots, industrial areas
- Same high quality as BUBO light family
- Made in Finland

ARA FLOODLIGHT OPTICS

UP-F



ARA 90-1050 DALI UP-F 740

Housing:

Die-cast aluminium chassis with blasted, textured body.

Optics:

Flood light optics UP-F. Easy LED optimized UV-stabilized PC optics with high impact resistance

Protection range: IP66, IK08

Temperature range:

Designed for operating temperatures of up to +40°C
Outdoors / +35°C Indoors (95 % RH)

Automatic thermal protection:

Inbuilt reversible thermal protection with output current dimming.

LED unit lumen maintenance L90B10, C10: 70 000 h

LED unit lumen maintenance L85B10, C10: >100 000 h

Residual luminous flux after 100 000 h: 0,87

Control: Integrated DALI. CLO, MainsDIM and Kaamos available

Connection:

Preassembled rubber cable. Serial installation possible.

Safety light: 186-250 VDC at 10...60 % power level

Input voltage: 230 VAC (operation voltage range 202...254 VAC)

Input frequency: 50...60 Hz

Power Factor (PF) typical: > 0,95

Surge protection: 10 kV L-GND, N-GND (EN 61547), 6 kV L-N (EN 61000-4-5)

Luminaire protection class: CL I

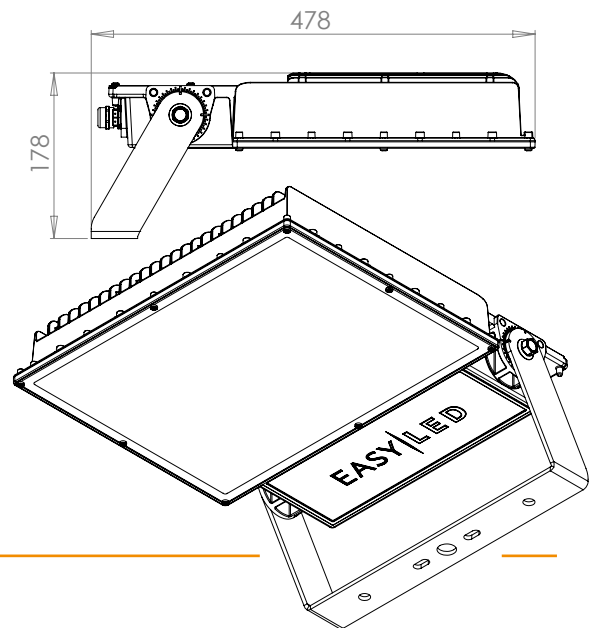
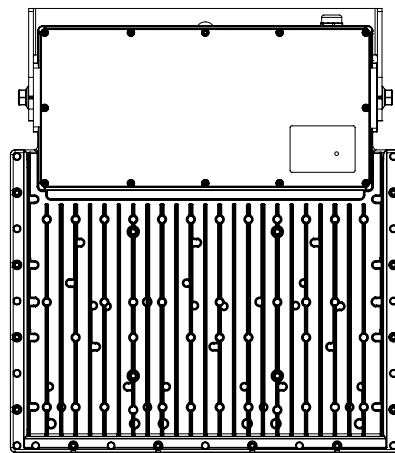
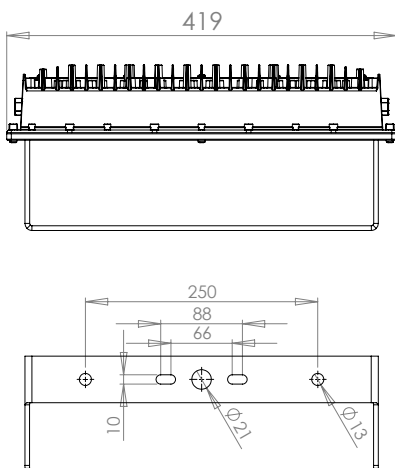
Installation direction:

No limits. (Not to be installed inside insulation to enable cooling)

Luminaire luminous efficacy: 110 lm/W

Light efficacy: CRI>70; 4000 K

ARA DIMENSIONS



LEDs: 90

Weight: 10,4 kg

Recommended install height: 6-30 m

Delivery: Fully assembled

Dali addresses: 1

Temperature range: -40°C ...+40°C (95 % RH) outdoors
-40°C ...+35°C (95 % RH) indoors

Maintenance free operating life: >100 kh

Driving current: 1050 mA

System power: 280 W

Current: 1,3 A

Luminous Flux*: 30 800 lm

Luminaire dimming range: 12-100%

Values shown are nominal values and are subject to +/- 10 % tolerance.

*Luminous flux for 740, dependent on choice of optical solution. For latest values, ask for light distribution files.

ARA CIRCUIT BREAKER DESIGN CHART

ARA 90-1050	1050 mA	280 W	1,3 A	Number of luminaires per circuit breaker			
				B10 A	B16 A	C10 A	C16 A
				3	7	7	11
	Inrush current peak			Earth leakage current			
	13 A, t = 1320µs (50 % of Ipeak)			0,18 mA			

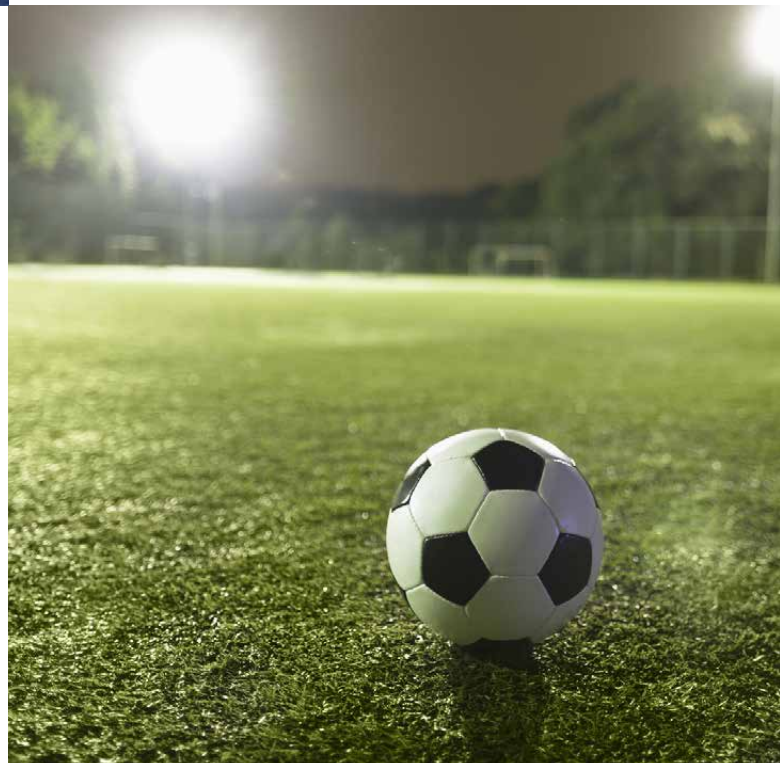


ARA

EFFICIENT LED FLOODLIGHT

EASY LED – THE BRIGHT CHOICE

Investing in high quality LED lighting today will pay off far into the future. Easy LED Oy is a Finnish company specialised in manufacturing of energy efficient LED lighting systems for different environments, such as sports arenas, industrial premises, roads and areas as well as retail and office spaces.



Easy LED Oy
Meriniitynkatu 11
FI-24100 Salo, FINLAND
tel. +358 2 737 44 20

easyled.fi

